

TECHNICAL PASSPORT

ПАСПОРТ ТЕХНИЧЕСКОГО ИЗДЕЛИЯ



**F 926 / 626, F 951 / 651, F 960 / 660
F 600, F 625, F 925, F W 610, F W 620, F W 910**

EXTRACTOR HOOD

КУХОННАЯ ВЫТЯЖКА

KUPPERSBERG



CONTENTS

SECTION 1	
SAFETY PRECAUTIONS	3
SECTION 2	
SPECIFICATIONS.....	4
SECTION 3	
CONTROL.....	4
SECTION 4	
MOUNTING AND DIMENSIONS	5
SECTION 5	
CLEANING AND MAINTENANCE	8
SECTION 6	
TROUBLESHOOTING.....	9
SECTION 7	
HELPFUL INFORMATION	10



DEAR CUSTOMER,

Thank you for purchasing our equipment! We are sure that appliances of the KUPPERSBERG brand, which are modern, functional and made of high quality materials and components, will be a reliable assistant in your kitchen.

Please read this manual carefully before starting any installation work. It will help you avoid premature failure, as well as extend the life of your appliance to the maximum possible.

Please note that the installation of this appliance must be carried out by a qualified technician and in accordance with these instructions. The manufacturer is not liable for any consequences of failure to observe this condition.

Caution!

The manufacturer reserves the right to make any changes, without prior notice, to design, outside appearance and scope of supply of appliance, which will be considered as necessary and useful according to the manufacturer's point of view. Possible modifications will not affect the basic properties, including those that relate to safe operation of the appliance.

SECTION 1.

SAFETY PRECAUTIONS

1. Assembling and electrical connection of the appliance must be carried out by skilled technicians of authorized service center.

2. The appliance is designed to operate on 220-240 V AC. Make sure that the technical parameters of your home power supply system correspond to the data for the power supply. If parameter values are above or below the specified range, the use of the appliance is prohibited.

3. Do not connect the kitchen air cleaner to the ventilation channels that are used to remove smoke and fumes from the equipment operating on any other energy sources except electric one.

4. The appliance is to be connected only to an earthed power supply system.

5. Do not cook flammable foods below the kitchen air cleaner.

6. Use aluminum filter that comes with the appliance. The use of other materials is prohibited!

7. Do not connect the appliance to the power supply system, until the assembly and installation of the appliance is completed.

8. Do not use the appliance without the aluminum filter in place.

9. Do not touch the lamps.

10. Do not remove the aluminum filter while the appliance is in operation.

11. Do not disconnect the appliance from the power supply system directly. If necessary, turn the appliance off using the control panel and, only after that, unplug it from the power supply system. When switching on: first connect the appliance to the power supply system, then switch it on using the control panel, but not vice versa!

Extractor hood

12. The appliance requires regular cleaning and maintenance work.

13. When installing the appliance, observe the required distance between it and the cooking surface of your stove:

- for an electric stove: at least 65 cm
- for a gas or gas-electric stove: at least 70 cm

14. Do not allow children to play with packaging materials, it can be dangerous!

15. For best air cleaning in your kitchen, do not turn off the appliance immediately after the cooking process is completed: let the appliance run for a further 15 minutes. For this purpose you can also use the timer function (the button «Auto Switch Off Timer» on the control panel).

16. Ensure adequate ventilation in the kitchen, if a gas stove is operated simultaneously with the appliance.

17. In case of any malfunctions, contact your nearest authorized service center.

18. If the kitchen hood is supposed to operate in air discharge mode, then during installation it is important to provide a duct of the corresponding diameter. To prevent loss of performance caused by aerodynamic resistance of the duct, the air duct must not be too long, or curved. Never restrict the duct size, or make sharp bends. In addition, it is preferable to use smooth PVC duct (round or flat), rather than the flexible corrugated one because bends of a corrugated duct increase the noise level of the hood.

19. The manufacturer does not bear any responsibility for any possible damage, in case of non-compliance with above precautions.

**SECTION 2.
SPECIFICATIONS**



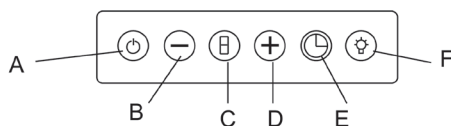
Wall hood

Width.....	500-600-900 mm
Control type.....	Touch
Suction power.....	800 m3
Lamps.....	Halogen 2x20 W (or 2x40 W)
Diameter of the air discharge pipe	120-150 mm
Voltage.....	220-240 V / 50 Hz
Modes of operation.....	Air discharge / Recirculation
Noise level	32- / 42-58 dB

**SECTION 3.
CONTROL TYPE**



Touch control



- A – On/Off switch
- B – Power decrease
- C – Display
- D – Power increase
- E – Auto Switch Off Timer
- F – Lighting

- A – Hood motor On/Off
- B – Motor rotation speed decrease
(suction power reducing)

C – Display shows motor rotation speed

D – Motor rotation speed increase (suction power increasing)

E – When you press on the Timer, the motor will automatically be shut down after 15 minutes. To activate the function, press and hold the Timer for 3 seconds (rotation speed level starts to flash on the display). To cancel, press once on the Timer.

F – Lighting On/Off



SECTION 4.

Mounting and dimensions

Please unpack and inspect the appliance! Before starting installation, make sure that the hood has no obvious transport damages. If such defects are detected, do not install or connect the appliance to the mains.

1. To install the air cleaner above the stove, draw a vertical line on the wall from the center of the stove vertically to the ceiling. To comply with safety regulations, the distance between the cooking surface and the air cleaner should be 700 mm. Accordingly, make a mark with a pencil on the vertical line at a height of $700+426=1126$ mm from the surface of the stove. Draw a horizontal line through this point on the wall. Measure 100 mm on this line to the right and left from the point of intersection of the vertical and

horizontal lines and make marks with a pencil. Using a 6-mm drill bit, drill holes in these marks. Insert dowels in the holes just drilled and fix the hooks.

2. Installation of decorative cover

Draw a horizontal line on a wall, at a distance of 75 mm from the ceiling. Measure 50 mm on this line to the right and left from the point of intersection with the vertical line and make marks with a pencil. On these marks, drill the holes, insert the 8-mm dowels in them and tighten 2.5-mm screws which must protrude 2 mm from the wall.

Step 1: Installation of hooks

Step 2: Installation of mounting bracket

Step 3: Installation of housing

Step 4: Installation of external part of decorative cover

Step 5: Installation of internal part of decorative cover

1- Ø8 dowel

2- Mounting bracket

3- Hook

4- Internal part of decorative cover

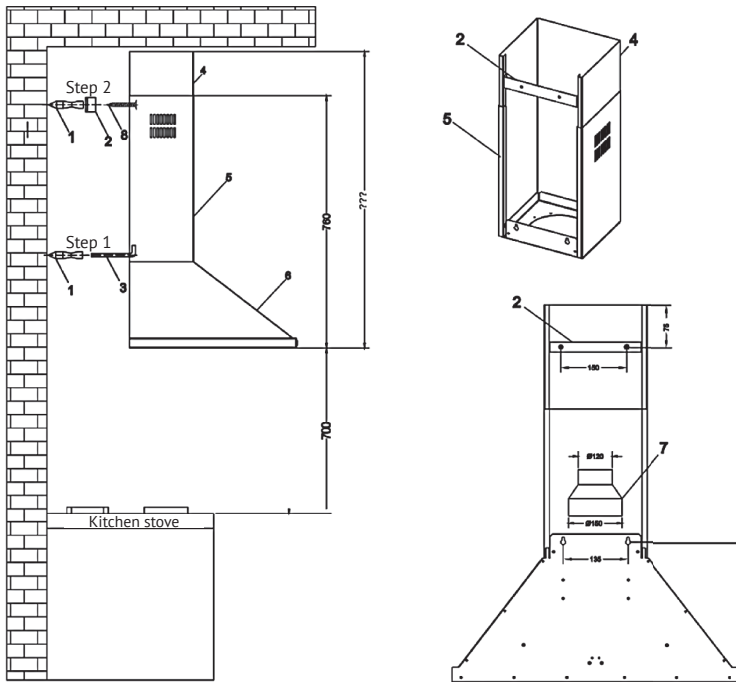
5- External part of decorative cover

6- Air cleaner housing

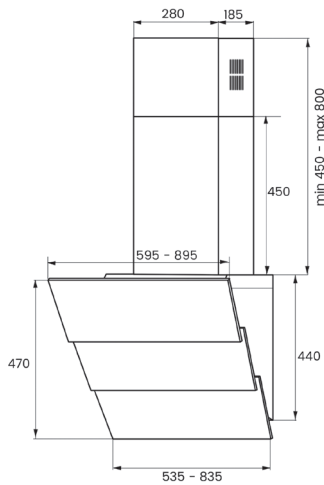
7- Bushing adapter

8- Ø 2.5 screw

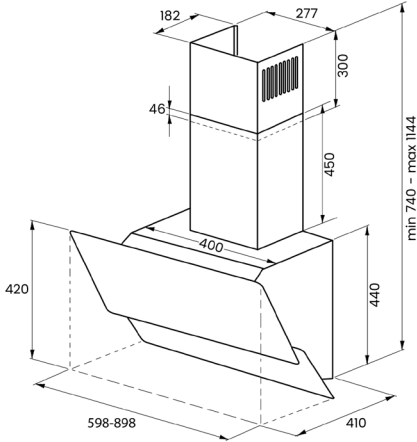
Extractor hood



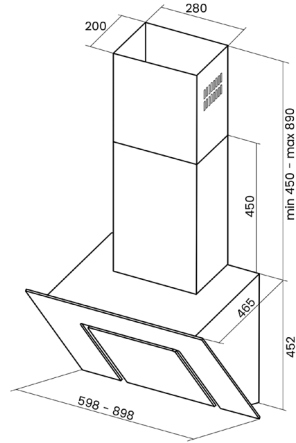
F 925 / 625



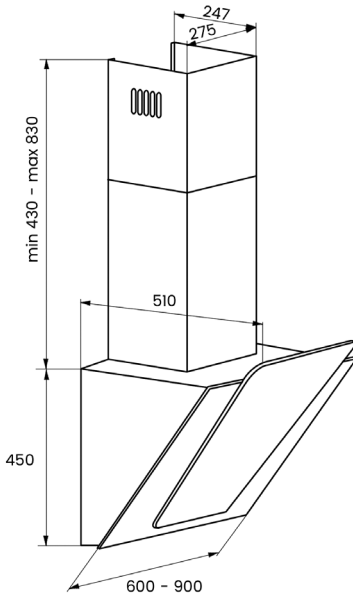
F 600, FW 610, FW 620, FW 910



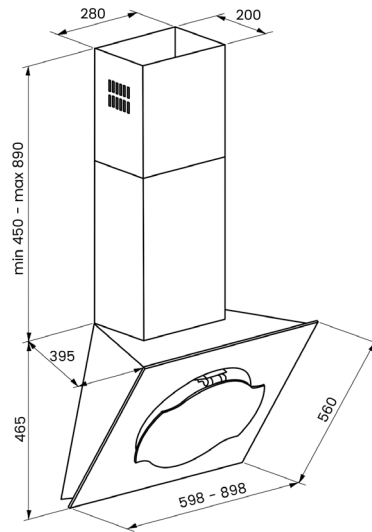
F 960 / 660



F 951 / 651



F 926 / 626



Extractor hood

**SECTION 5.****Cleaning and maintenance**

Caution! Before you start cleaning the appliance, disconnect it from the power supply.

Aluminum filter

Aluminum filter is designed to trap grease particles out of the flow of air running through it. For this reason, the filter needs regular cleaning. The cleaning interval depends on the frequency of use of the air cleaner. Generally, it is recommended to clean it once a month.

To do this, remove the filters, wash them in water with a neutral liquid detergent, dry them, then set them back in the air cleaner. Over time, filters may change color due to a regular washing. This is a natural process, which does not indicate a defect, so filter replacement is not required.

The aluminum filters can be washed in the dishwasher.

How to remove aluminum filters:

1. Press on the latch of the filter lock.
2. Pulling down a bit, remove the filter.

In order to put the filters in place after cleaning, follow the above instructions in reverse order.

Carbon filter (used in recirculated air mode)

Carbon filter is designed to trap odors and fumes while cooking. It is used in cases where there is no possibility to connect the air cleaner to a special

ventilation duct for discharging air outward. When operating the appliance with a carbon filter, contaminated air is sucked into the appliance and passes through a carbon filter, and then clean air is supplied to the kitchen.

The carbon filter should be replaced at regular intervals. The interval of filter replacement depends on the frequency of use of the air cleaner, style of cooking and frequency of the aluminum filter cleaning. Generally, it is recommended to replace the carbon filter once every 4 months.

How to remove carbon filter:

1. Remove aluminum filters.
2. Turn the carbon filter to the left and pull it.
3. Replace the old carbon filter with the new one.
4. Put the filter back into place.

If necessary, clean the outside of the air cleaner with a soft, damp cloth. Do not use any abrasive cleaning agents. For painted stainless steel surfaces: to avoid scratching it is recommended to wipe them with a soft, damp cloth in the painting direction. Do not remove the lamp cover during the surface cleaning process.

Caution!

Do not use the steam generators for cleaning.

Caution!

Not following the above rules for cleaning the appliance and replacing filters may cause fire.

Replacing lamps

Before replacing lamps, disconnect the appliance from the power supply. Then, with a screwdriver, pry and remove the lamp cover, while supporting it from below. Remove the burned-out lamp and replace it with a new one. Put the lamp cover into place, press it slightly and fix it. Caution: do not touch the halogen lamp with your fingers, it significantly reduces its lifetime. Use a soft, dry cloth.

Caution!

If you need to transport the air cleaner, first of all, disconnect it from the power supply and proceed with disassembly. It is recommended that you transport it in the original packaging. If this packaging is not available, package the appliance using materials that prevent possible damage resulting from transportation.



SECTION 6.

Troubleshooting

Very often a malfunction of the appliance occur for minor reasons. So, before you call for service center, please check whether you can troubleshoot yourself. For this purpose please check the following possible causes of malfunctions.

Malfunction	Possible cause	Troubleshooting action
The appliance does not operate	<ul style="list-style-type: none"> ...Faulty fuse ...Plug is not properly inserted into the outlet ...There is no voltage in the power supply system 	<ol style="list-style-type: none"> 1. Check the fuse of the appliance 2. Make sure that plug is properly inserted into the outlet
Suction power is not sufficient	<ul style="list-style-type: none"> ...Incorrect speed selected ...Filters are clogged 	<ol style="list-style-type: none"> 1. Increase suction speed of hood 2. Clean or replace filters
The lamp is not lighting	<ul style="list-style-type: none"> ...Faulty fuse ...The lamp is burned out or incorrectly installed 	<ol style="list-style-type: none"> 1. Check the fuse of the appliance 2. Make sure that the lamp is installed correctly or replace it

Extractor hood



SECTION 7.

Helpful information

Physical characteristics of the sound volume (the sound pressure level) is measured in decibels (dB). «Noise» is a chaotic mix of sound.

The human ear can detect sounds with sound volume of 10-15 dB and above.

When choosing a kitchen hood, it is necessary to pay special attention to technical indicators such as the noise level. This indicator is very important, because, and that's beyond a shadow of a doubt, each of us spends a lot of time on the kitchen. It is especially common for women who love to please their loved ones with delicious cooked dishes.

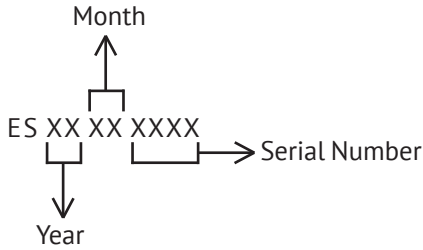
According to the surveys, 40% of women do not use kitchen hoods for their intended purpose (it refers to the process of air suction), precisely because they are annoyed with the noise level.

Consequently, such a necessary and needed in the kitchen appliance, kitchen air cleaner, designed to remove airborne odors, grease, soot and smoke, becomes almost meaningless.

This allows you to make the cooking process the most comfortable and helpful.

For more complete understanding of the scale of decibels, you can compare parameters of the following guidelines:

Intensity of typical noise sources		
Approximate sound pressure level dB	Characteristics	Sound source and distance
160	Shock, trauma	Shot of a gun of 0.303 caliber close to your ear
150	Contusion, trauma	Rise of the lunar rocket, 100 m
140	Contusion	Rise of the jet plane, 25 m
120	Almost unbearable	Engine room of submarine Jackhammer, 1 m
100	Extremely noisy	Very noisy factory Subway car (intermittently)
90	Very noisy	Heavy diesel truck, 7 m Road drill (without muffler), 7 m Railway freight wagon, 7 m
80	Very noisy	Ringling alarm clock, 1 m Motorcycle with a silencer, 1 m
75	Noisy	Inside railway carriage Shout, 1 m Loud laughter, 1 m
70	Noisy	Inside a small car, moving at a speed of 50 km/h Home vacuum cleaner, 3 m Loud conversation, 1 m
65	Clearly audible	Typewriter Normal conversation, 1 m
40	Quite audible	Institution, where there are no special sources of noise
35	Hardly audible	Room of a quiet apartment Very muffled conversation
25	Quiet	Rural areas located far from roads Whisper of a person, 1 m

DETERMINATION OF THE PRODUCTION DATE BY SERIAL NUMBER:**Manufacturers:**

Teka Industrial, S.A.
Ctra. Madrid km. 316 a ZARAGOZA 50012 SPAIN

ESALBA GLOBAL DIS TYC. A.S
Organize Sanayi Bolgesi , 21. Cadde No:8 Eskisehir – Turkiye

Importers:

LLC «MG Rusland», 141400
Moscow region, Khimki, Butakovo, 4

LLC «Kuppersberg-Import», 125438
Moscow, Avtomotornaya, 7

Made in EU

**СОДЕРЖАНИЕ**

РАЗДЕЛ 1	
МЕРЫ ПРЕДОСТОРОЖНОСТИ	13
РАЗДЕЛ 2	
ТЕХНИЧЕСКИЕ ХАРАКТЕРИСТИКИ	14
РАЗДЕЛ 3	
УПРАВЛЕНИЕ	14
РАЗДЕЛ 4	
МОНТАЖ И РАЗМЕРЫ	15
РАЗДЕЛ 5	
ЧИСТКА И УХОД	18
РАЗДЕЛ 6	
ПРИЧИНЫ НЕИСПРАВНОСТЕЙ	19
РАЗДЕЛ 7	
ЭТО МОЖЕТ БЫТЬ ИНТЕРЕСНО	20



УВАЖАЕМЫЙ ПОКУПАТЕЛЬ!

Благодарим Вас за покупку нашей техники! Мы уверены, что техника торговой марки "KUPPERSBERG", - современная и функциональная, произведенная с использованием высококачественных материалов и компонентов, - будет надежным помощником на Вашей кухне.

Пожалуйста, перед началом установки, внимательно изучите данную инструкцию. Она поможет Вам избежать преждевременной поломки, а также максимально продлить срок службы выбранного Вами прибора.

Обращаем Ваше внимание, что установка данной техники должна быть произведена квалифицированным специалистом в соответствии с данной инструкцией. Производитель не несет ответственности за возможные последствия невыполнения данного условия.



Внимание!

Производитель оставляет за собой право, без предварительного уведомления, вносить любые изменения в конструкцию, дизайн и комплектацию приборов, которые, по мнению производителя, будут считаться необходимыми и полезными. Возможные модификации не будут затрагивать базовые свойства, в том числе те из них, которые относятся к безопасности эксплуатации приборов. Раздел 1.



РАЗДЕЛ 1. МЕРЫ ПРЕДОСТОРОЖНОСТИ

1. Сборка и электрическое подключение прибора должны быть осуществлены

квалифицированными специалистами авторизованных сервисных центров.

2. Прибор рассчитан на использование переменного тока 220-240 В. Удостоверьтесь, что технические параметры вашей домашней электросети, соответствуют этим данным. При параметрах ниже или выше указанного диапазона, использование прибора запрещено.

3. Запрещено подключение кухонного воздухоочистителя к вентиляционным каналам, которые используются для отвода дыма и испарений от оборудования, работающего не на электричестве, а на других источниках энергии.

4. Подключать прибор разрешено только к заземленной электрической сети.

5. Запрещено готовить под кухонным воздухоочистителем блюда из легковоспламеняющихся продуктов.

6. Пользуйтесь алюминиевым фильтром, который поставляется в комплекте с прибором. Использование других материалов запрещено!

7. Не подключайте прибор к электрической сети, до тех пор, пока сборка и установка прибора не будет завершена.

8. Не используйте прибор без алюминиевого фильтра.

9. Не прикасайтесь к лампам освещения.

10. Не снимайте алюминиевый фильтр во время работы прибора.

11. Запрещено отключать прибор от электросети напрямую. При необходимости, выключите прибор, используя панель управления и, только после этого, отключите его от электросети. При включении: сначала подключите к электросети, затем включите прибор, используя панель управления; но не наоборот!

12. Прибор требует регулярной чистки и ухода.

Кухонная вытяжка

13. При установке прибора соблюдайте требуемое расстояние между ним и варочной поверхностью вашей плиты:

- при электрической плите: не менее 65 см

- при газовой или газозлектрической плите: не менее 70 см

14. Не позволяйте детям играть с упаковочными материалами - это может быть опасным!

15. Для лучшей очистки воздуха в вашей кухне, не выключайте прибор сразу после завершения процесса приготовления: дайте прибору поработать еще порядка 15 минут. Для этой цели вы также можете воспользоваться функцией таймера (кнопка «таймер авто отключения» на панели управления).

16. Обеспечьте надлежащую вентиляцию кухни, если одновременно с прибором в ней используется газовая плита.

17. В случае возникновения каких-либо неисправностей, обратитесь в ближайший авторизированный сервисный центр.

18. В случае работы вытяжки в режиме отвода воздуха, при монтаже важно предусмотреть наличие воздуховода соответствующего диаметра. Для предотвращения потери производительности, вызываемой аэродинамическим сопротивлением воздуховода, важно, чтобы воздуховод не был слишком длинный и изогнутый. Нельзя сужать воздуховод и делать острые загибы. Кроме того, предпочтительнее использовать гладкий воздуховод из ПВХ (круглый либо плоский), нежели гибкий гофрированный, поскольку изгибы гофрированного воздуховода усиливают шумность вытяжки.

19. Производитель не несет никакой ответственности за любой возможный ущерб, в случае не выполнения указанных выше мер предосторожности.



РАЗДЕЛ 2.

ТЕХНИЧЕСКИЕ ХАРАКТЕРИСТИКИ

Настенная вытяжка

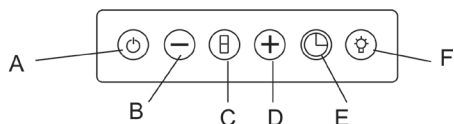
Настенная вытяжка	
Ширина	500-600-900 мм
Управление	Сенсорное
Мощность всасывания.....	800 м3
Лампы освещения	Галогенные 2x20 Вт (или 2x40 Вт)
Диаметр воздухоотводной трубы	120-150 мм
Напряжение.....	220-240 В / 50 Гц
Режимы работы	Отвод воздуха / Рециркуляция
Уровень шума.....	32- / 42-58 дБ



РАЗДЕЛ 3.

УПРАВЛЕНИЕ

Сенсорное управление



- A – Включение / Выключение
- B – Уменьшение мощности
- C – Дисплей
- D – Увеличение мощности
- E – Таймер авто отключения
- F – Освещение

A – Включение / Выключение мотора вытяжки.

B – Снижение скорости вращения мотора (снижение мощности всасывания).

С – Дисплей отображает скорость вращения мотора

Д – Увеличение скорости вращения мотора (увеличение мощности всасывания)

Е – При нажатии на Таймер, мотор будет автоматически выключен через 15 минут. Для активации этой функции, нажмите и удерживайте в течение 3 секунд. Таймер (уровень скорости вращения на дисплее начинает мигать). Для отмены – однократное нажатие на Таймер.

F – Включение / Выключение освещения



РАЗДЕЛ 4.

Монтаж и размеры

Пожалуйста, распакуйте и внимательно осмотрите прибор! Перед началом монтажа, необходимо убедиться в отсутствии видимых повреждений, связанных с транспортировкой вытяжки. В случае обнаружения подобных дефектов, дальнейшая установка и подключение прибора к сети запрещены!

1. Для установки воздухоочистителя над плитой, проведите на стене вертикальную линию от центра плиты вертикально к потолку. Для соблюдения правил безопасности, расстояние между варочной поверхностью воздухоочистителя должно составлять 700 мм. Соответственно, на проведенной вами вертикальной линии, сделайте отметку карандашом на высоте $700+426=1126$ мм от поверхности

плиты. Через эту точку проведите на стене горизонтальную линию. На этой линии, справа и слева от точки пересечения вертикальной и горизонтальной линий, отмерьте по 100 мм и сделайте отметки карандашом. Используя 6-мм сверло, просверлите по этим отметкам отверстия. В получившиеся отверстия вставьте дюбеля, и закрепите крюки.

2. Установка декоративного кожуха

Проведите на стене горизонтальную линию, на расстоянии 75 мм от потолка. На этой линии, справа и слева от точки пересечения с вертикальной линией, отмерьте по 50 мм и сделайте отметки карандашом. По этим отметкам просверлите отверстия, в которые вставьте 8-мм дюбеля и завинтите 2,5-мм шурупы, оставив их на 2 мм выступающими из стены.

Шаг 1: Установка крюков

Шаг 2: Установка присоединительного кронштейна

Шаг 3: Установка корпуса

Шаг 4: Установка внешней части декоративного кожуха

Шаг 5: Установка внутренней части декоративного кожуха

1- Ø8 дюбель

2- Присоединительный кронштейн

3- Крюк

4- Внутренняя часть декоративного кожуха

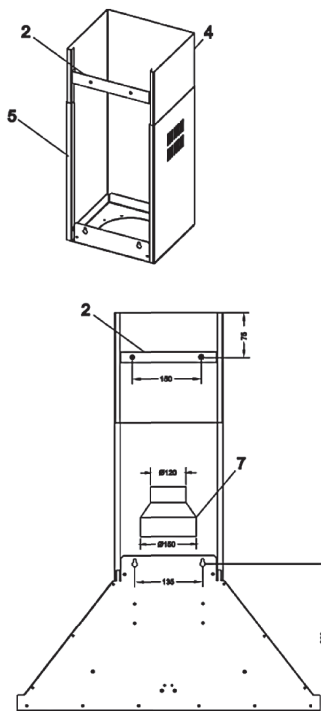
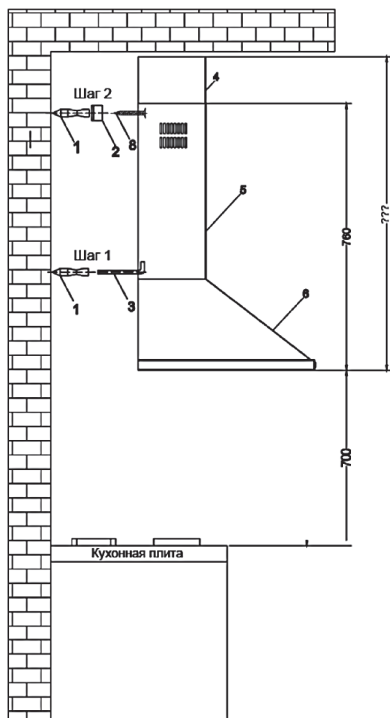
5- Внешняя часть декоративного кожуха

6- Корпус воздухоочистителя

7- Втулка-адаптер

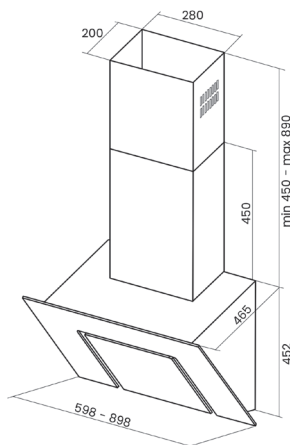
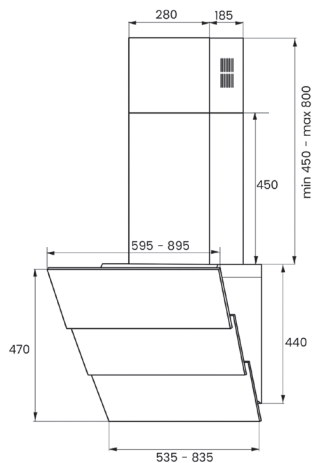
8- Ø2,5 шуруп

Кухонная вытяжка

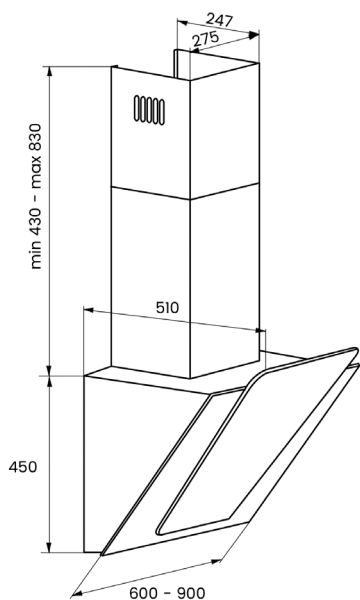


F 925 / 625

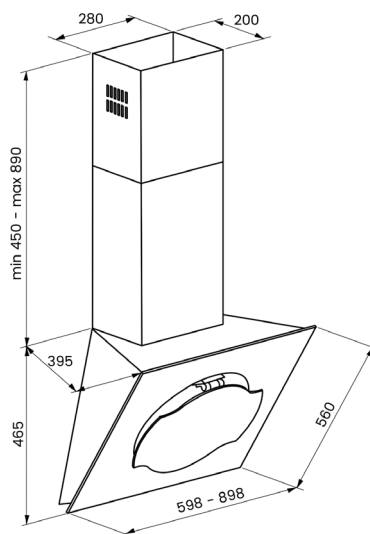
F 960 / 660



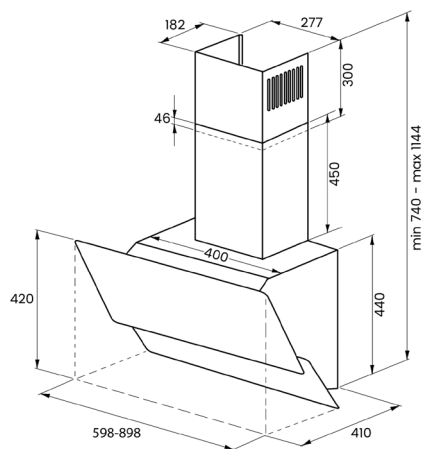
F 951 / 651



F 926 / 626



F 600, FW 610, FW 620, FW 910





РАЗДЕЛ 5.

Чистка и уход

Внимание! Перед тем, как приступить к очистке прибора отключите его от электроснабжения.

Алюминиевый фильтр

Алюминиевый фильтр предназначен для улавливания частиц жира из, прогоняемого через него, потока воздуха. Соответственно, данный фильтр нуждается в периодической очистке. Периодичность проведения очистки зависит от частоты использования воздухоочистителя. В среднем, рекомендуется проводить его очистку 1 раз в месяц.

Для этого, снимите фильтры; промойте их в воде с нейтральным жидким моющим средством; высушите их, после чего установите их обратно на воздухоочиститель. Со временем, вследствие регулярной мойки, цвет фильтров может измениться. Это естественный процесс, который не является браком, и не требует замены фильтров.

Данные алюминиевые фильтры можно мыть и в посудомоечной машине.

Как снять алюминиевые фильтры:

1. Нажмите на защелку замка фильтра
2. Несколько потянув книзу, снимите фильтр

Для того чтобы поставить на место уже очищенные фильтры, выполните вышеуказанные операции в обратном порядке.

Угольный фильтр (используется в режиме рециркуляции воздуха)

Угольный фильтр предназначен для улавливания запахов и испарений в

процессе готовки. Используется в тех случаях, когда нет возможности подсоединить воздухоочиститель к специальному вентиляционному каналу для отвода воздуха наружу. При работе прибора с угольным фильтром, загрязненный воздух всасывается в прибор, проходит через угольный фильтр, и уже чистым подается в кухню.

Угольный фильтр подлежит периодической замене. Частота смены фильтра зависит от частоты использования воздухоочистителя, стиля готовки и частоты очистки алюминиевых фильтров. В среднем, рекомендуется производить замену угольного фильтра 1 раз в 4 месяца.

Как снять угольный фильтр:

1. Снимите алюминиевые фильтры
2. Поверните угольный фильтр влево и потяните к себе
3. Замените отработанный угольный фильтр на новый
4. Установите обратно алюминиевые фильтры

При необходимости очистки воздухоочистителя с внешней стороны, используйте мягкую влажную тряпку. Не допускается использование абразивных чистящих средств. Для крашенных поверхностей из нержавеющей стали: во избежание появления царапин рекомендуется протирать мягкой влажной тряпкой, двигая ее по направлению окраски поверхности. Не снимайте плафоны ламп во время проведения очистки поверхности.

Внимание!

Не используйте для очистки парогенераторы.

Внимание!

Не соблюдение вышеуказанных правил по очистке прибора и замене фильтров может привести к возникновению пожара.

Замена ламп освещения

Перед тем, как произвести замену ламп, отключите прибор от электропитания. После этого, используя отвертку, подденьте и снимите плафон лампы, поддерживая его снизу. Извлеките перегоревшую лампу и замените ее на новую. Установите на свое место плафон лампы и слегка надавите на него, фиксируя. Внимание: не прикасайтесь пальцами к галогенной лампе, это значительно снижает срок ее службы. Используйте мягкую сухую тряпочку.

Внимание!

Если вам потребуется перевезти воздухоочиститель, прежде всего, отключите его от электропитания и произведите его разборку. Предпочтительно чтобы при транспортировке вы использовали оригинальную упаковку. В случае ее отсутствия, упакуйте прибор с использованием материалов, предотвращающих возможные повреждения при перевозке

**РАЗДЕЛ 6.****Причины неисправностей**

Нередко причиной возникновения какой-либо неисправности в работе прибора является незначительная мелочь. Поэтому перед обращением в Сервисный центр, пожалуйста, проверьте, нельзя ли устранить возникшие неполадки самостоятельно. Для этого внимательно ознакомьтесь с возможными причинами неисправностей.

Неисправность	Возможная причина	Устранение
Прибор не работает	...Неисправен предохранитель ...Плохо вставлена вилка в розетку ...Отсутствует напряжение в сети	...Проверить, в порядке ли предохранитель прибора ...Убедиться, плотно ли вставлена вилка в розетку
Мощность всасывания недостаточна	...Неправильно выбрана скорость ...Засорены фильтры	...Увеличить скорость всасывания вытяжки ...Очистить или заменить фильтры
Лампочка не горит	...Неисправен предохранитель ...Лампочка перегорела или неправильно установлена	...Проверить, в порядке ли предохранитель прибора ...Убедиться, правильно ли установлена лампочка или заменить ее

**РАЗДЕЛ 7.****Это может быть интересно**

Физическая характеристика громкости звука - уровень звукового давления измеряется в децибелах (дБ). «Шум» - это беспорядочное смешение звуков.

Человек может слышать звуки громкостью от 10-15 дБ и выше.

При выборе кухонной вытяжки необходимо особое внимание уделить такому техническому показателю, как уровень шума. Данный показатель является не менее важным, поскольку, согласитесь, каждый из нас немало времени проводит именно на кухне. Особенно это касается женщин, которые любят порадовать своих родных и близких вкусно приготовленными блюдами.

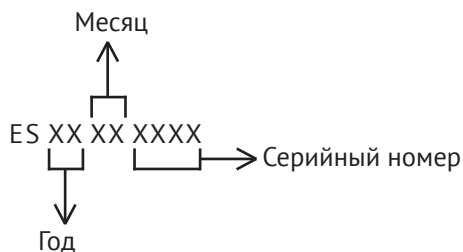
Согласно проведенным опросам, 40% женщин не пользуются кухонными вытяжками по их прямому назначению (имеется в виду процесс всасывания воздуха), именно потому, что их раздражает производимый ими шум.

Вследствие этого, такой необходимый и нужный на кухне прибор, как кухонный воздухоочиститель, призванный очищать воздух от запаха, жира, копоти и дыма, становится абсолютно бессмысленным приобретением.

В сравнении с многими производителями кухонных вытяжек, вытяжки "KUPPERSBERG" являются малозумными. Что позволяет сделать процесс приготовления блюд максимально комфортным и полезным.

Для наиболее полного понимания шкалы децибел, можно сравнить параметры из приведенных ниже ориентиров:

Интенсивность типичных шумов		
Примерный уровень звукового давления, дБ	Характеристика	Источник звука и расстояние до него
160	Шок, травмы	Выстрел из ружья калибра 0,303 вблизи уха
150	Контузия, травмы	Взлет лунной ракеты, 100 м
140	Контузия	Взлет реактивного самолета, 25 м
120	Почти невыносимо	Машинное отделение подводной лодки Отбойный молоток, 1 м
100	Крайне шумно	Очень шумный завод Вагон метро (прерывисто)
90	Очень шумно	Тяжелый дизельный грузовик, 7 м Дорожный перфоратор (незашушенный), 7 м Грузовой железнодорожный вагон, 7 м
80	Очень шумно	Звон будильника, 1 м Мотоцикл с глушителем, 1 м
75	Шумно	В железнодорожном вагоне Крик, 1 м Громкий смех, 1 м
70	Шумно	В салоне небольшого автомобиля, движущегося со скоростью 50 км/ч; Квартирный пылесос, 3 м Громкий разговор, 1 м
65	Отчетливо слышно	Пишущая машинка Обычный разговор, 1 м
40	Довольно слышно	Учреждение, где нет специальных источников шума
35	Чуть слышно	Комната в тихой квартире Очень приглушенный разговор
25	Тихо	Сельская местность, расположенная вдали от дорог Шепот человека, 1 м

ОПРЕДЕЛЕНИЕ ДАТЫ ПРОИЗВОДСТВА ТОВАРА ПО СЕРИЙНОМУ НОМЕРУ:**Производители:**

Тека Индустриал, С.А.
Стра. Мадрид км 316 а, Сарагоса, Испания

ЕСАЛБА ГЛОБАЛДИС ТИС. А. С.
Организе Санауи Болгеси, 21. Садде Но:8, Эскишехир, Турция

Уполномоченное изготовителем лицо/импортер:


ООО «Эм-Джи Русланд», 141400
г.Химки, ул.Бутаково, д.4

ООО «Купперсберг-Импорт», 125438,
г. Москва, ул. Автомоторная, д. 7


Сделано в ЕС

ООО «КУППЕРСБЕРГ-СЕРВИС»

УСТАНОВКА, ГАРАНТИЙНОЕ И ПОСТГАРАНТИЙНОЕ ОБСЛУЖИВАНИЕ
ПО МОСКВЕ И МОСКОВСКОЙ ОБЛАСТИ

 +7 (495) 236-90-67

Телефон горячей линии Kuppersberg:

 8 (800) 250-17-18

(Звонки для всех регионов бесплатные).

 Часы работы линии: с 9:00 до 18:00 Пн-Пт

➤ Полный список авторизованных сервисных центров Kuppersberg можно найти на официальном сайте компании

 <http://kuppersberg.ru>

➤ Данный паспорт технического изделия заменяет гарантийный талон.

➤ Гарантийный срок исчисляется со дня заключения договора купли-продажи.

➤ При отсутствии документов подтверждающих покупку, эти сроки исчисляются со дня изготовления товара (Ст. 19 ЗоЗПП, пункт 2).

УСЛОВИЯ ГАРАНТИИ

Настоящие условия гарантии действительны на территории России, если иные условия не установлены действующим законодательством:

1. Изготовитель устанавливает гарантийный срок 2 (два) года со дня передачи Потребителю на следующие виды техники: воздухоочистители, встраиваемую технику. Срок службы бытовой техники «Kuppersberg» при соблюдении правил эксплуатации и применения ее в бытовых целях составляет 10 (десять) лет.

2. Гарантия распространяется на изделия, использующиеся только для личных, семейных, домашних нужд, а также нужд, не связанных с осуществлением предпринимательской деятельности.

3. Проследите, чтобы гарантийный талон был правильно заполнен, не имел исправлений и в нем были указаны: дата продажи, штамп торговой организации и подпись продавца, модель и серийный номер изделия, дата установки, название и штамп фирмы-установщика.

4. Сохраняйте гарантийный документ, чек на проданное изделие и квитанцию на услуги по его установке (доставке), доработке водяных и электрических внутриквартирных коммуникаций, а также любые другие документы, относящиеся к гарантийному или техническому обслуживанию изделия.

5. Прежде чем вызвать специалиста сервисного центра, внимательно прочитайте инструкцию по эксплуатации изделия. Если изделие исправно, то за сервисным центром остается право требовать от Потребителя оплаты ложного вызова.

6. Любые претензии по качеству изделия рассматриваются только после предварительной проверки качества изделия представителем сервисного центра.

7. Изготовитель не несет какой-либо ответственности за любой возможный ущерб, нанесенный потребителю, в случае несоблюдения последним требований Изготовителя, указанных в данном гарантийном документе и инструкции по эксплуатации.

8. Гарантийный срок на элементы освещения (галогеновые, светодиодные и лампы накаливания) составляет 15 дней со дня продажи прибора.

Гарантия не распространяется на изделия, недостатки в которых возникли вследствие:

1. Несоблюдения требований Изготовителя, указанных в гарантийном документе;
2. Несоблюдения Потребителем правил установки, подключения, эксплуатации, хранения или транспортировки изделия, указанных в инструкции по эксплуатации;
3. Ремонта неуполномоченными на то лицами, если таковой ремонт повлек за собой отказ изделия;
4. Разборки изделия, изменения конструкции и других вмешательств, непредусмотренных инструкцией по эксплуатации;
5. Неисправностей и повреждений, вызванных экстренными условиями и действием непреодолимой силы (пожар, стихийные бедствия, и т.д.);
6. Повреждений техники или нарушений ее нормальной работы, вызванных животными или насекомыми;
7. Повреждений техники или нарушений ее нормальной работы, вызванных сверхнормативными отклонениями параметров сети электро-, газо-, или водоснабжения от номинальных значений;
8. Использования изделия для предпринимательской деятельности или в непредусмотренных целях;
9. Образования на нагревательных элементах избыточного слоя накипи (при повышенной жесткости воды необходима обработка соответствующими составами);
10. Попадания во внутренние рабочие объемы изделия посторонних предметов, мелких деталей одежды или остатков пищи;
11. Механических повреждений изделия Потребителем (царапины, трещины, сколы и т.п.);
12. Потери товарного вида изделия вследствие воздействия на изделие химических веществ;
13. Термических и других подобных повреждений, которые возникли в процессе эксплуатации.

Изготовитель не принимает претензии в следующих случаях:

1. Несоблюдение правил установки;
2. Отсутствие оригинального гарантийного талона;
3. Отсутствие в гарантийном талоне следующих сведений: даты продажи, штампа торгующей организации, подписи продавца, модели и серийного номера изделия;
4. Внесение любых исправлений (изменений) в текст гарантийного документа.

Установка и подключение крупной бытовой техники:

1. Производитель рекомендует Вам доверить установку и подключение изделия «Kuppersberg» специалистам сервисного центра. Вы можете также обращаться в любую другую организацию, имеющую сертификат на оказание подобных услуг.

2. Оплата работ по установке и подключению изделия происходит по прейскуранту сервисного центра. Условия оплаты работ по установке и подключению регулируются действующим законодательством. Изготовитель не несет какой-либо ответственности за любой ущерб, нанесенный имуществу граждан вследствие установки и подключения, не соответствующих требованиям, указанным в инструкции по эксплуатации, и произведенных неуполномоченными на то лицами.

3. В случае нарушения требований Изготовителя по установке и подключению, ответственность за причиненный ущерб несет лицо, проводившее эту работу.

4. Газовая бытовая техника может быть установлена только специалистом, имеющим допуск на установку газового оборудования. Гарантийное обслуживание осуществляется только при наличии отметки об установке или документа уполномоченной организации.

Изделие, имеющее трех-контактную сетевую вилку, обязательно должно быть заземлено!





⇒ **ВНИМАНИЕ!**

**ДАННЫЙ ПАСПОРТ ИЗДЕЛИЯ
ТАК ЖЕ ЯВЛЯЕТСЯ
ГАРАНТИЙНЫМ ТАЛОНОМ,
ПРОСЬБА НЕ УНИЧТОЖАТЬ
ДО КОНЦА ЭКСПЛУАТАЦИИ
ТЕХНИКИ.**

⇒ Kuppersberg

⇒ www.kuppersberg.ru

⇒ info@kuppersberg.ru